

# welters<sup>®</sup>

ORGANISATION  
WORLDWIDE  
Design and Innovation

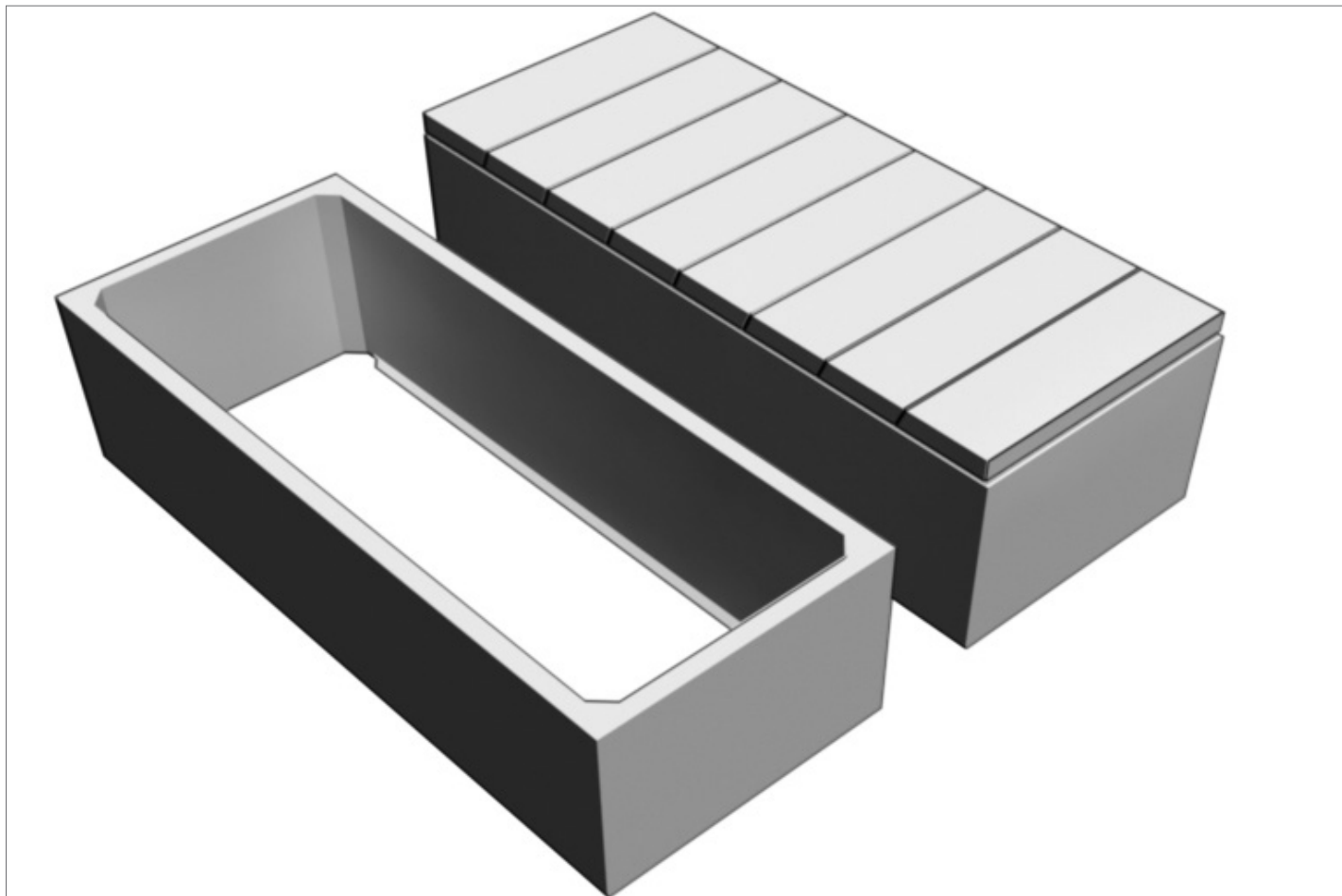
## 720mm Grave Extension Ring

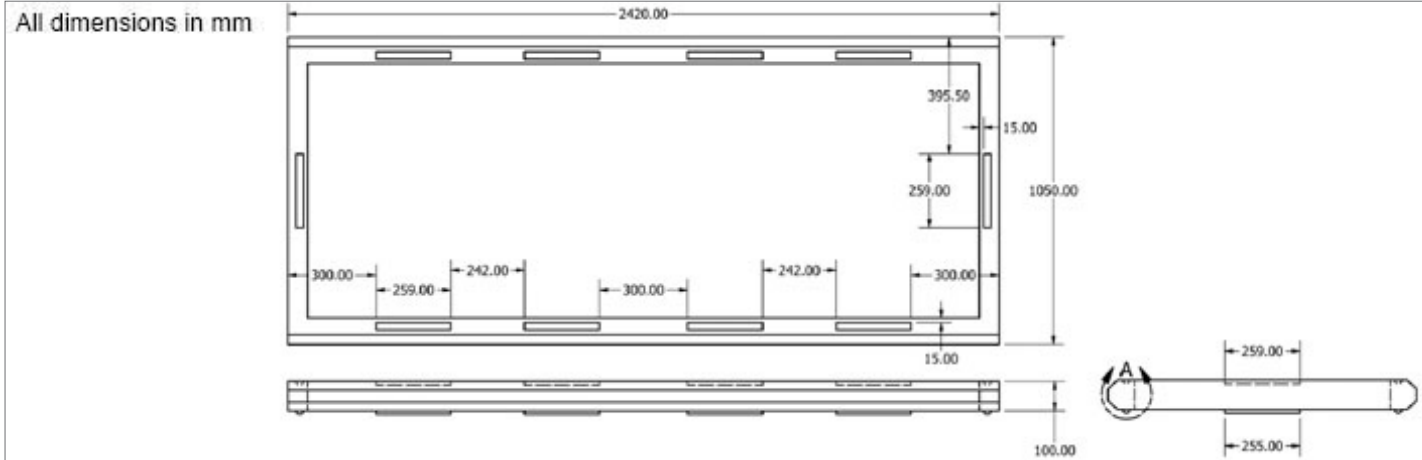
Grave extension rings are made from reinforced concrete and designed to enable burials to take place in shallow graves in compliance with LACO Schedule 2, article 10.

The Grave Extension Ring offers an effective solution to shallow grave interment problems and can also be installed to extend above ground or form part of a larger installation as an alternative to (or combined with) burial chambers.

Typically, a standard extension ring is 2'4" (720mm) high and will be lifted into place using machinery such as a telehandler. In areas where machinery cannot be used for example within existing memorials then a smaller 100mm sectional option can be used which is light enough to be carried into position by hand and stacked to the required amount.

These systems facilitate legal interment for the reuse of shallow graves to any depth requirements, extending the cemetery life substantially.

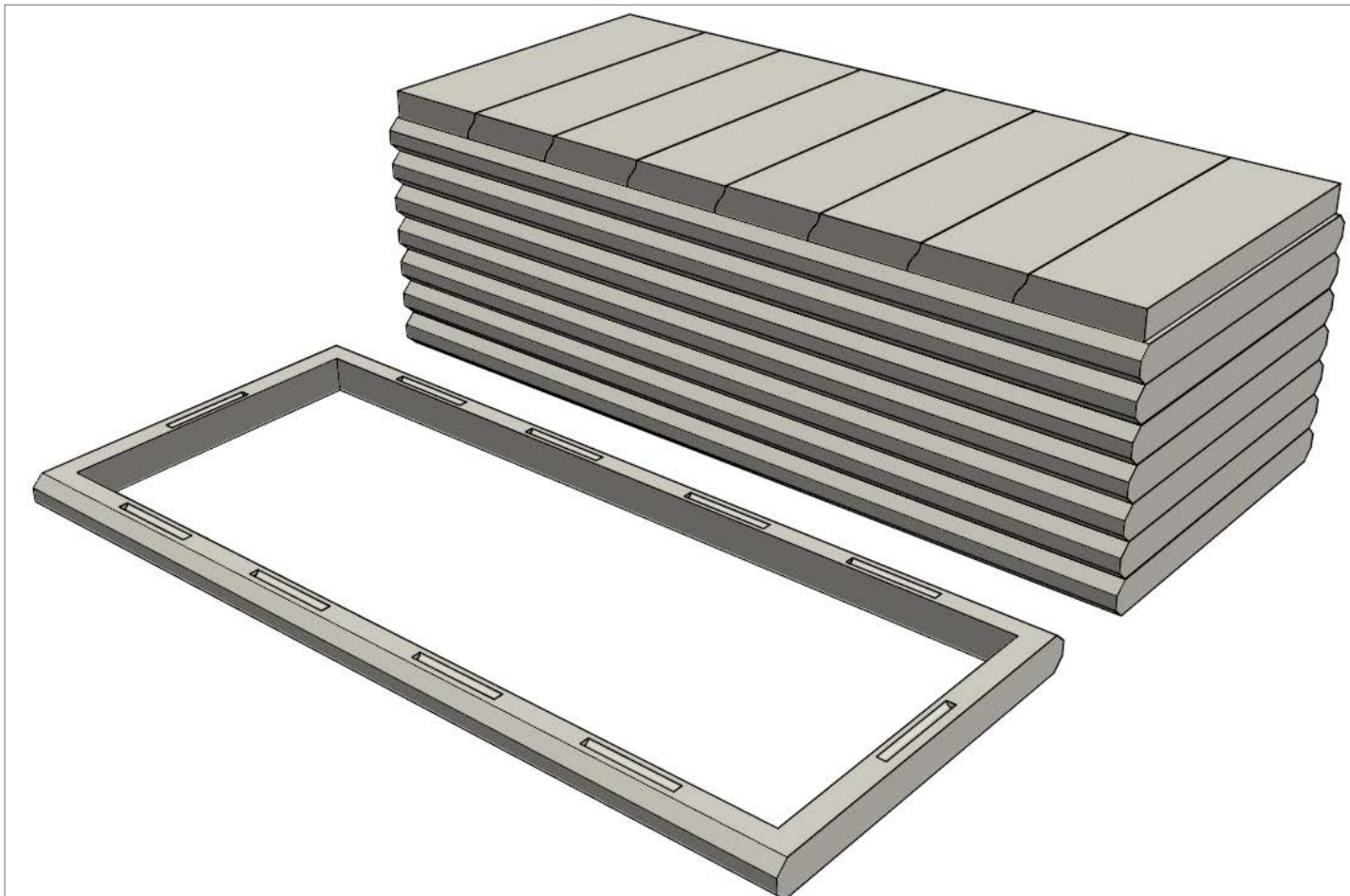




# welters<sup>®</sup>

ORGANISATION  
WORLDWIDE  
Design and Innovation

## 100mm Grave Extension Ring



The 100mm Grave Extension Ring is used to create shallow grave extensions. They can be stacked on top of each other to create extensions at various heights.

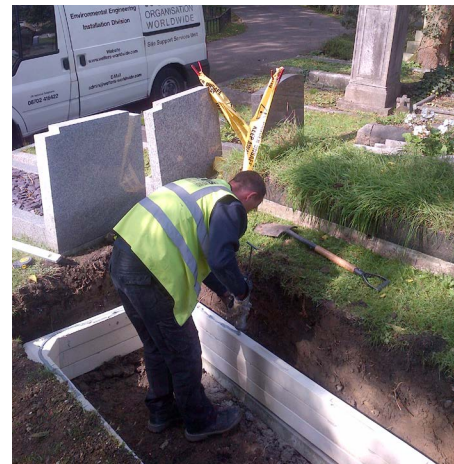
They are lightweight and can easily be lifted into place by four men.

Fitted with lifting sockets.

Lifting loops can be supplied at extra cost.



## Shallow and private grave, chamber/ring supply and installation



**welters**® are able to supply and install at short notice single installations of burial chambers or rings in private graves or where the grave is too shallow to legally carry out a traditional earthen burial.

This service is available nationwide and is coupled with their post funeral interment support service.







# welters®

ORGANISATION  
WORLDWIDE  
Design and Innovation

## 100mm Grave Extension Ring



100mm Burial Rings are lightweight and can easily be lifted into place by four men.

Fitted with lifting sockets.

Lifting loops can be supplied at extra cost.





# welters<sup>®</sup>

ORGANISATION  
WORLDWIDE  
Design and Innovation

## Testimonial

### Shallow Grave Burial Ring Installation

Hi Keith and Iain,

Just wanted to say a big thank you for arranging for your guys to fit the extension rings to the shallow grave at the cemetery so that a burial can go ahead there on Friday. Your guys were brilliant and worked really well with my guys to get the grave sorted. The daughter of the deceased who is to be buried in the grave turned up while the rings were being put in and she was delighted with what we have done to enable her mum to be buried in the family grave.

Thanks again for your help and support with this - it is very much appreciated.

Regards, Interim Cemeteries,  
Crematoria and Coroner's Manager

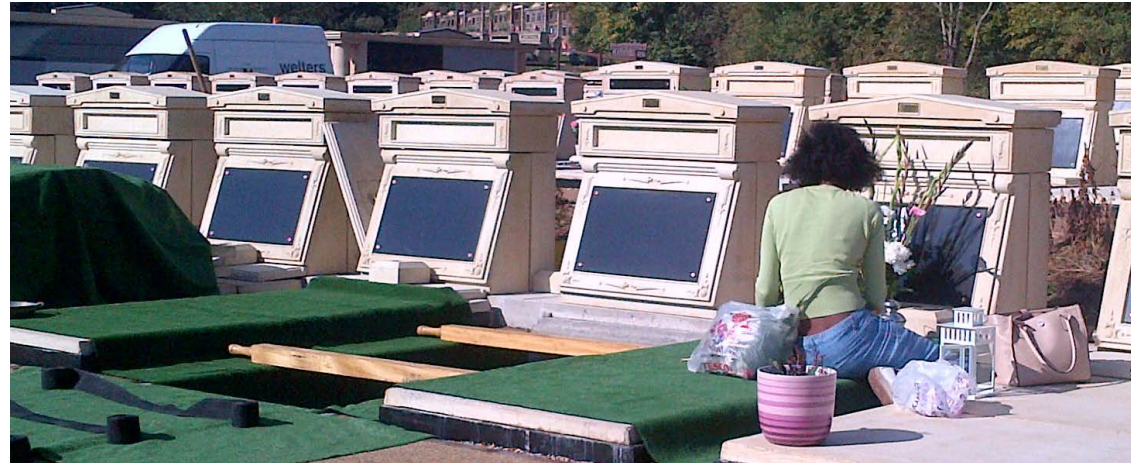
welters pride themselves on providing a range of unique and professional services.

Thank you for choosing welters



# Interment Support Services

**welters®** provide a nationwide 24/7 interment support for all their interment facilities.





**welters**®  
ORGANISATION  
WORLDWIDE  
**Design and Innovation**

PO Box 159, Carlisle,  
Great Britain, CA2 5BG  
Tel: 08702 416 422  
Fax: 01228 674 959  
[www.welters-worldwide.com](http://www.welters-worldwide.com)  
[admin@welters-worldwide.com](mailto:admin@welters-worldwide.com)

191114.1