

INSPIRED TECHNOLOGIES
Creative Design & Development



Brent Borough Council Willesden Cemetery Proposal

welters
ORGANISATION
WORLDWIDE

welters
ORGANISATION
WORLDWIDE

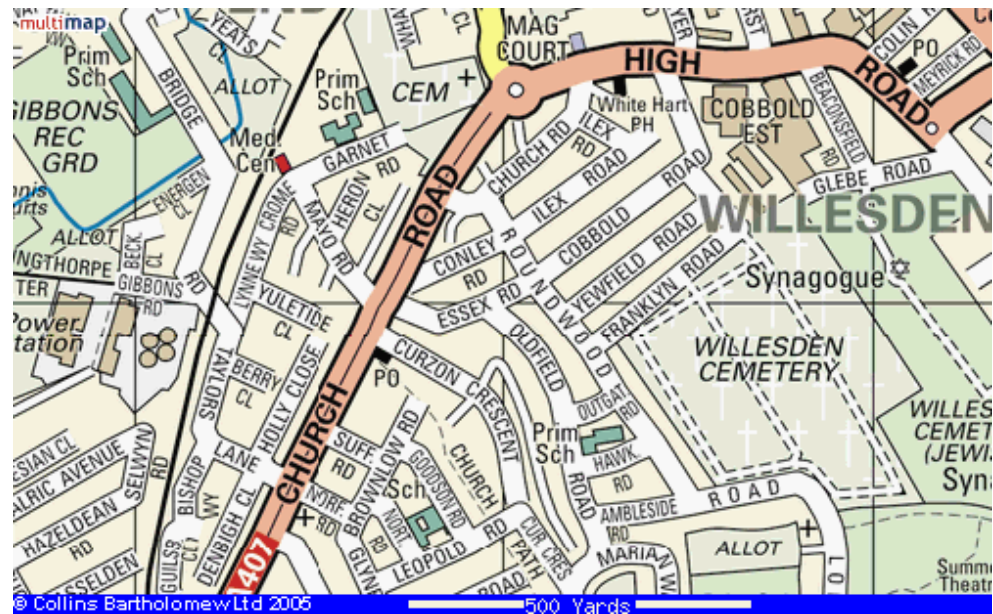
facilities management

© welters organisation worldwide
PO Box 159, Carlisle, Great Britain,
CA2 5BG

The intellectual property contained within this document belongs to **welters** and is not deemed to be in the public domain

Willesdenn Cemetery Proposal

Note: Designs and descriptions are for discussion purposes – this is not a contractual document.

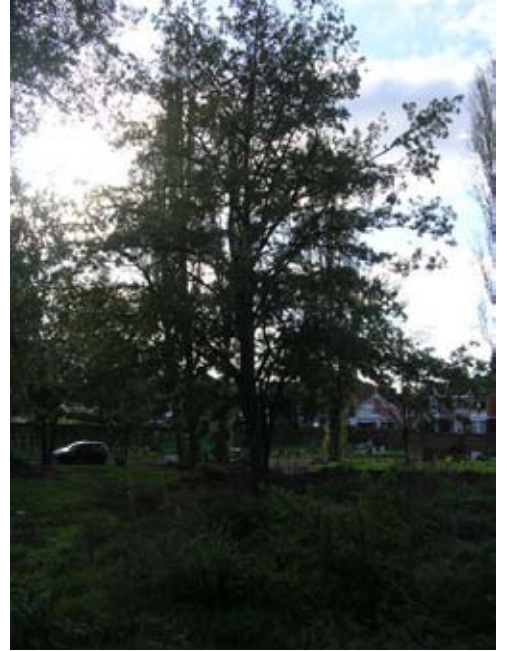


DESIGN AND DEVELOPMENT

welters propose to develop within the existing site pictured below.



DESIGN AND DEVELOPMENT



The development will consist of 40 head to head welters Classic Type Memorial Systems over Double Interment Chambers and 10 head to head welters Granite Clad Triple Interment Chambers with above and below ground extension capabilities. The row of chambers will be surrounded by a gravel path which will join with the main path into the area.

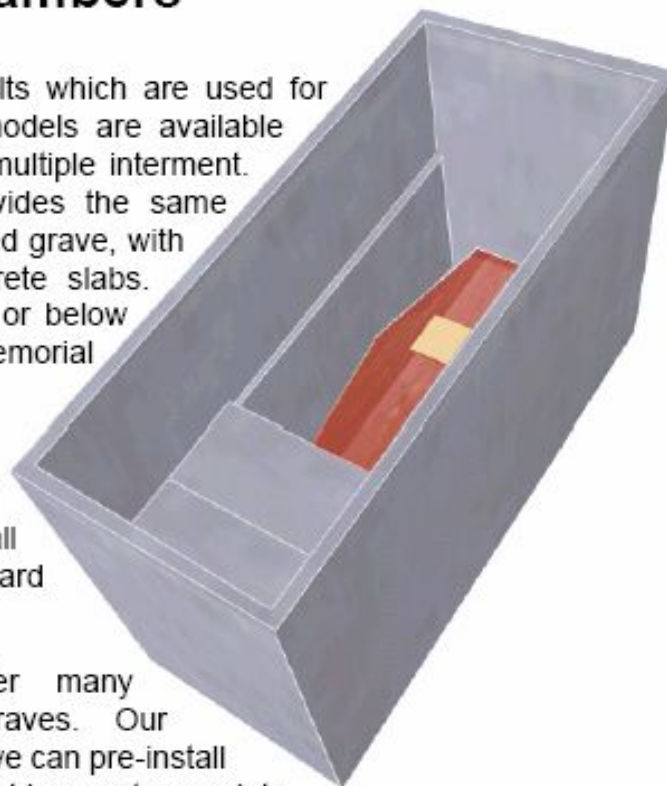
Welters also propose to take out the existing trees leaving only one in the middle as a feature.

welters Burial Chambers

Burial chambers are concrete vaults which are used for 'full body' burials. A variety of models are available to accept adult or child, single or multiple interment. Once installed, the chamber provides the same function as a traditional brick vaulted grave, with each interment sealed with concrete slabs. Chambers can be installed above or below ground level to suit specific memorial needs.

The chambers are constructed to the highest standards. A full steel cage is contained within and all elements are British Standard compliant.

welters burial chambers offer many advantages to brick or earthen graves. Our manufacturing methods mean that we can pre-install burial chambers on whole sections at low cost, complete with memorial housings, drainage and gravel finishing. Providing instant all weather burial provision, reducing labour time and maintenance costs whilst offering a high standard premium burial site.

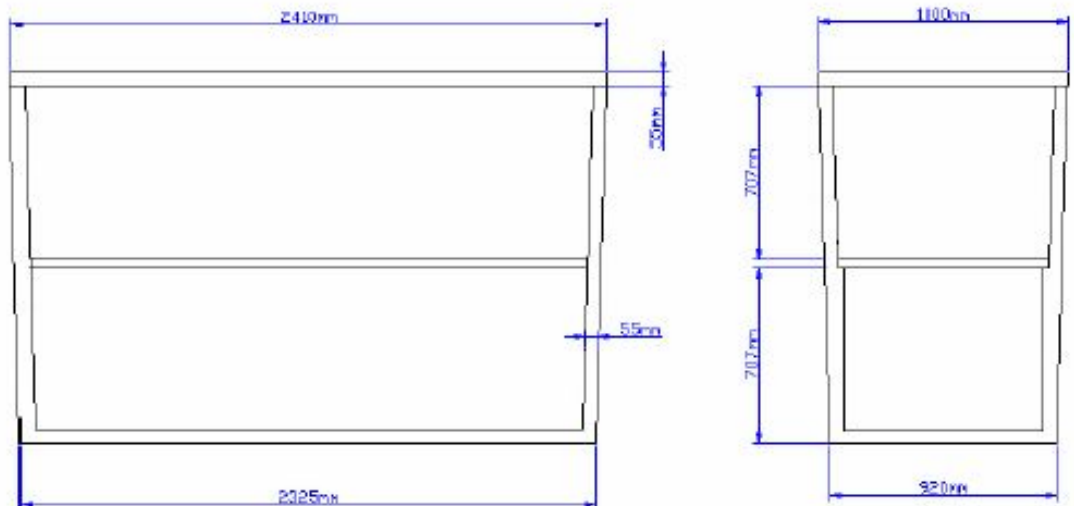
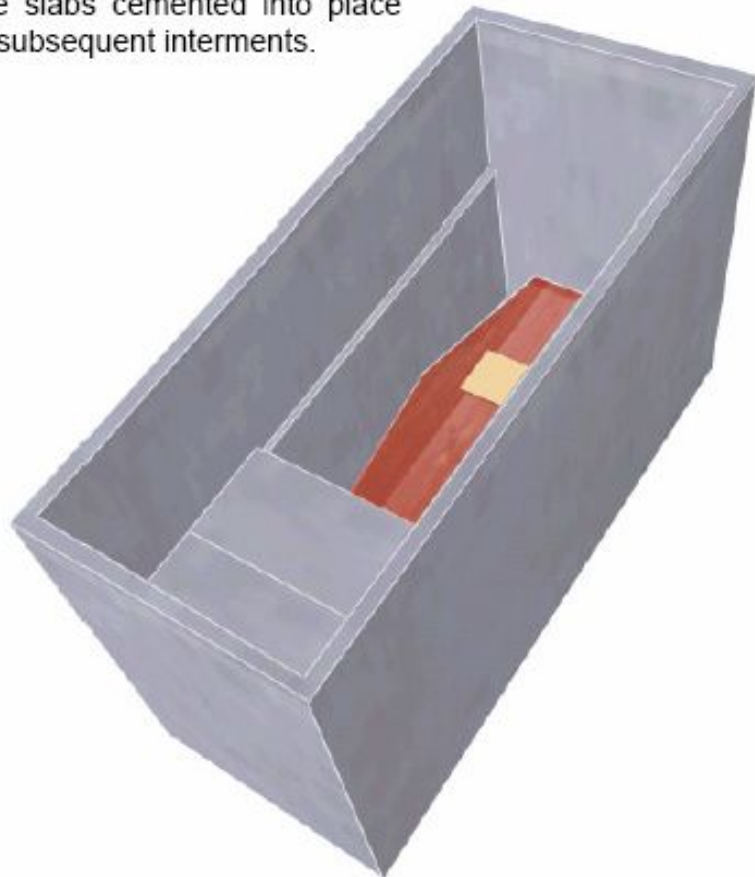


welters memorial housing systems are specially designed for burial chamber memorialisation. A choice of additional features for inscription and cultivation purposes are also available. Full advantage of the **welters** modular format can be realised creating original combinations selected from a wide range of product variations.

welters cemetery systems avoid Health & Safety nightmares and create viable ongoing solutions for future generations.

welters Multiple Interment Burial Chamber

The illustration shows a **welters** double interment chamber. Multiple interment chambers are available to meet any requirements. Each burial level is sealed using reinforced concrete slabs cemented into place forming a base for subsequent interments.

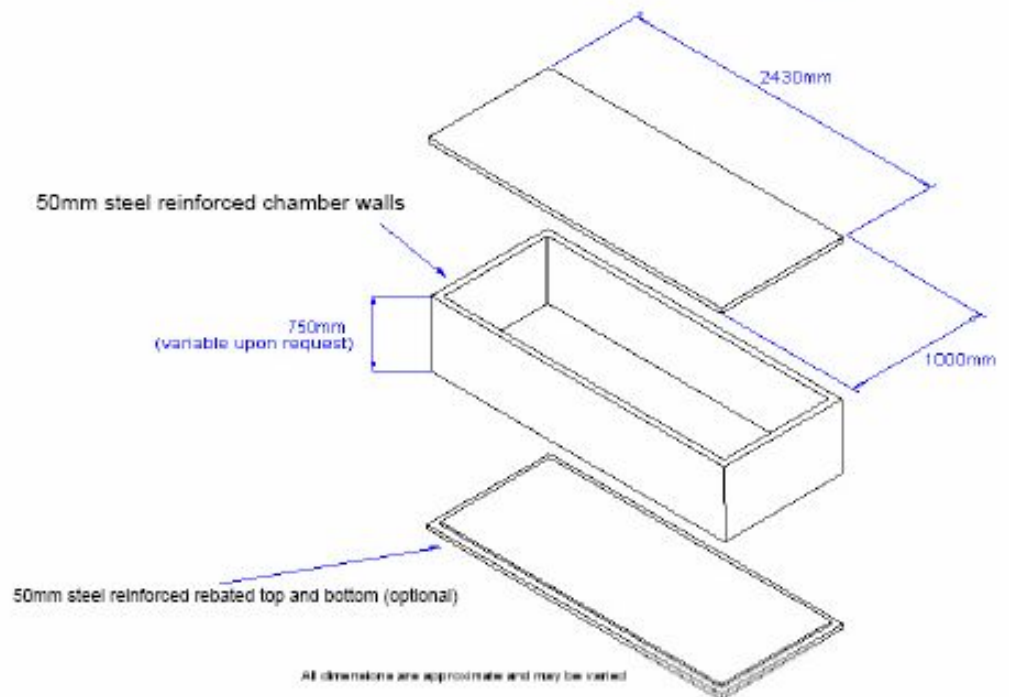


welters Grave Extension Burial Unit



welters Grave Extension Units can extend upwards offering valuable new interment space to existing earthen graves or burial chambers.

The Extensions are encased in 22mm granite cladding to create an attractive and dignified memorial reminiscent of those common to many Victorian cemeteries.



welters Granite Cased Single/ Double & Triple full body burial systems

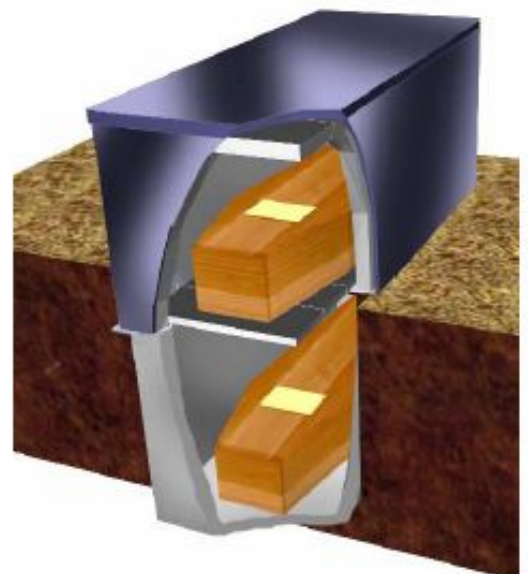
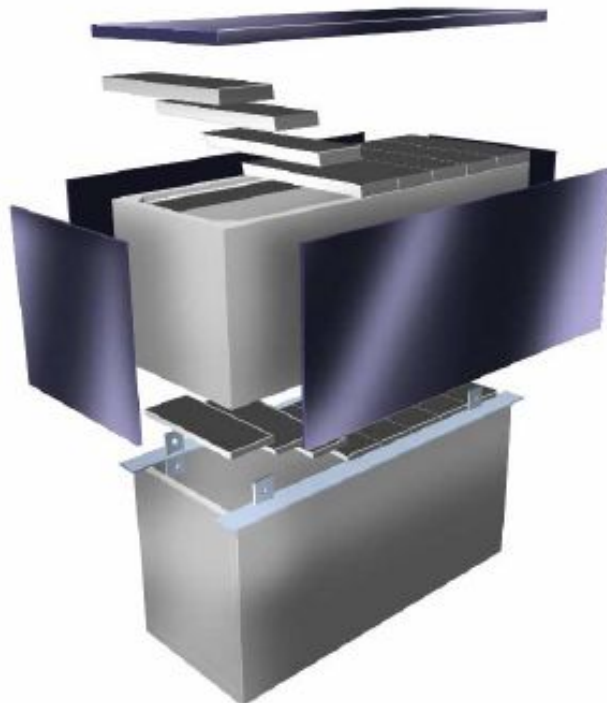
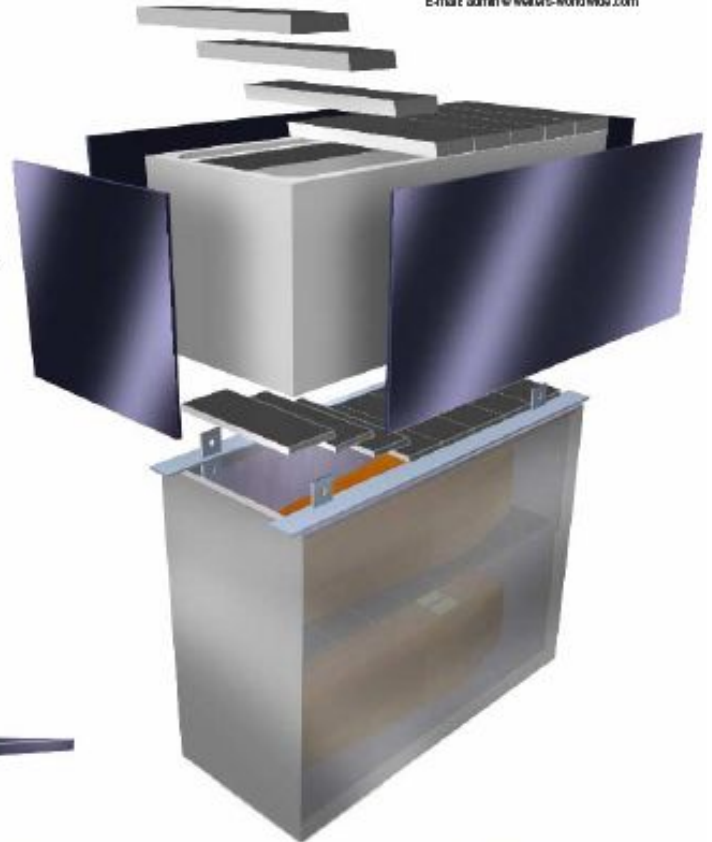
welters
ORGANISATION
WORLDWIDE
DESIGN AND MANAGEMENT CONSULTANTS
RESEARCH AND DEVELOPMENT

P.O. Box 159 Carlisle, Great Britain CA2 5BG
Sales: 0800 416440 (national rate)
Admin: 0800 416422 (national rate)
Fax: 01228 674059
Web-site: www.welters-worldwide.com
E-mail: admin@welters-worldwide.com

Introducing **welters** Granite Cased Single/Double & Triple full body burial systems. The chamber extension ring is locked down onto the lower chamber at ground level and is clad in granite to provide a substantial memorial feature.



The system can be further enhanced with the edition of **welters** safe memorial HERITAGE LIST range.



welters Memorialisation

Basilica Traditionale'

The Basilica Traditionale range of memorial housings for wetlers burial chambers utilises the same qualities in design as the Basilica Grande 900 lawn type memorial in aesthetics and exceptional stability within a traditional format.

A choice of additional features for inscription and cultivation purposes are also available. Full advantage of the **welters** modular format can be realised creating original combinations selected from a wide range of product variations.



The burial chamber cover plate and top landings can easily be removed to access the burial chamber for future interments.



DESIGN AND DEVELOPMENT

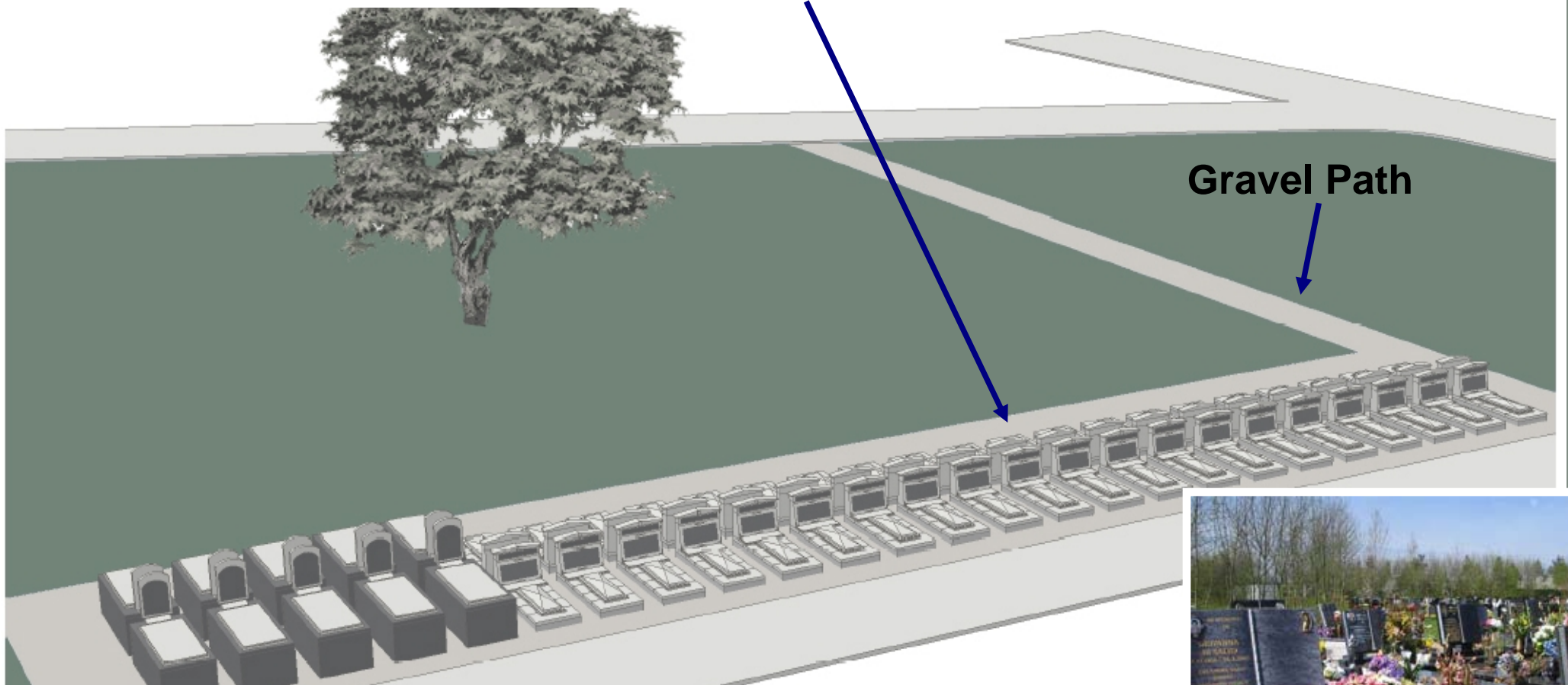
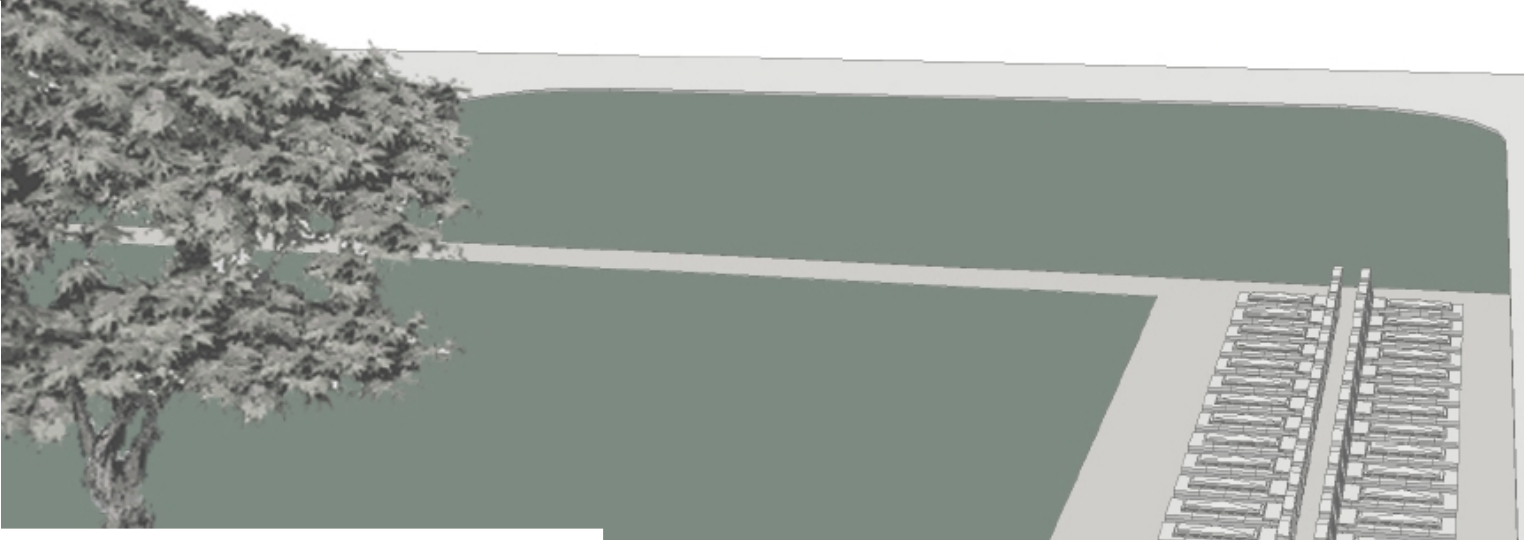


DESIGN AND DEVELOPMENT

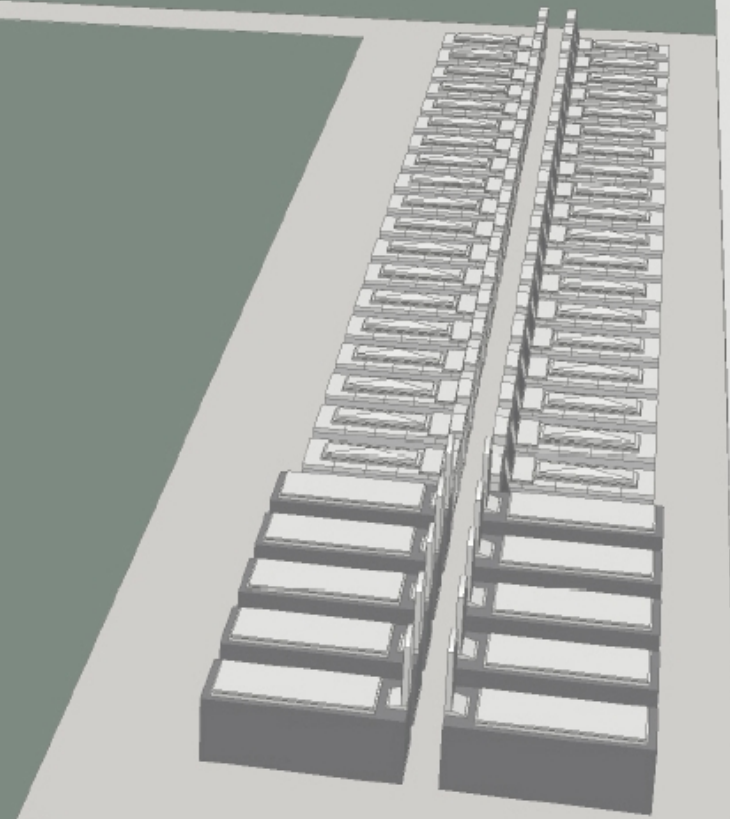


The pictures above show the basic procedure of installing welters burial systems from the first stage of the materials arriving on site through to the completed product.

**Welters
Classic type
memorial
systems over
Double
Interment
Chambers**



Gravel Path



**Welters Granite Clad Triple
Interment Chamber (above
and below ground extension
capability)**